

DA-820C Series

x86 3U 19-inch rackmount, IEC 61850, native PRP/HSR computer with 7th Gen Intel® Core™ CPU

Preliminary



Features and Benefits

- IEC 61850-3, IEEE 1613, and IEC 60255 compliant for power substation automation systems
- EN 50121-4 compliant for railway wayside applications
- 7th Generation Intel® Xeon® and Core® Processor
- 2 Built-in SO-DIMM ECC DDR4 memory slot, up to total 32GB capacity
- 4 hot-swappable SSD slots; support Intel® RST RAID 0/1/5/10
- Highly reliable design, supporting dual power and PRP/HSR technology (with PRP/HSR expansion module)
- 1 PCIe x16, 1 PCIe x4, 2 PCIe x1, and 1 PCI slots for expansion modules
- Redundant power supply (100 to 240 VAC/VDC)

Certifications



EN 50121-4



Introduction

The DA-820C's main operating system is based on the Intel® Core™ i3, i5, i7 or Xeon CPU. The computer comes with 3 display ports (HDMI x 2, VGA x 1), 5 USB ports, 4 gigabit LAN ports, 2 3-in-1 RS-232/422/485 serial ports, 6 DI ports, and 2 DO ports. The DA-820C is also equipped with 4 hot swappable 2.5" HDD/SSD slots that supports Intel® RST RAID 0/1/5/10 functionality.

The DA-820C complies with IEC-61850-3 and IEEE 1613 standards to deliver stable and reliable system operation for power applications. The computer also complies with the IEC 60255 standards, which cover the protection of electrical relays in a smart substation. IEC 60255 is one of the most widely used standards for testing relays and protection equipment, and compliance with the standard ensures that the DA-820C will work reliably and seamlessly with IEDs as part of a robust substation automation system.

EN 50121-4 compliance confirms that the DA-820C can deliver stable and reliable system operations in rail wayside applications, such as station SCADA systems, wayside disaster prevention, traction power, and signaling and safety systems to provide an integrated view of your smart rail setup.

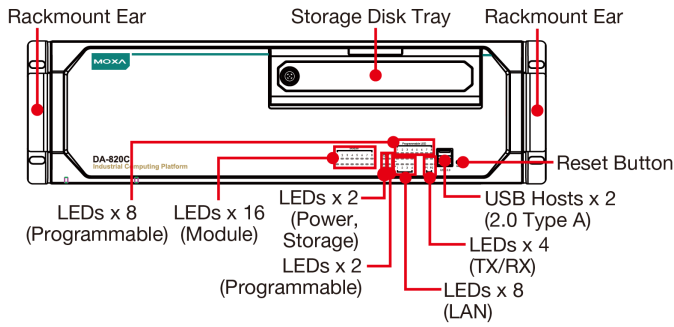
The robust, rack-mountable design provides the hardened protection needed for application in various industrial environment applications.

Proactive Monitoring Function

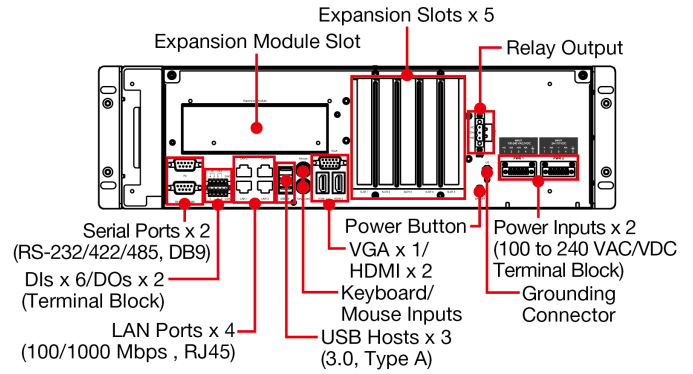
Moxa Proactive Monitoring is a small-footprint, resource-friendly, easy-to-use utility that allows users to track a number of system parameters. Users can view the current parameter values for these key parts by simply clicking on the icons corresponding to the parameters in the user interface. User-defined key part indicators (KPIs) are used to monitor the computer's key parts. Visible and/or audio alerts are triggered automatically via relay and SNMP traps when these KPIs exceed their preset threshold values, making it extremely convenient for operators to avoid system downtime by setting up predictive maintenance tasks well in advance.

Appearance

Front View



Rear View



Specifications

Computer

CPU	Intel® Core™ Processors Xeon E3-1505M v6, 4C/8T, 3GHz Intel® Core™ Processors Xeon E3-1505L v6, 4C/8T, 2.2GHz Intel® Core™ Processors i7-7820EQ, 4C/8T, 3GHz Intel® Core™ Processors i5-7442EQ, 4C/4T, 2.1GHz Intel® Core™ Processors i3-7102E, 2C/2T, 2.1GHz
System Memory Slot	SODIMM DDR4 slot x 2
DRAM	32 GB max. capacity with ECC (SODIMM x 2, each supporting 2400 MHz and 16 GB maximum per module)
Graphics Controller	Xeon E3-1505MV6: Intel® HD Graphics P630 Xeon E3-1505LV6: Intel® HD Graphics P630 i7-7820EQ: Intel® HD Graphics 630 i5-7442EQ: Intel® HD Graphics 630 i3-7102E: Intel® HD Graphics 630
Storage Slot	2.5-inch HDD/SSD slots x 4
Supported OS	Windows 10 Embedded IOT Ent 2019 LTSC 64bits Linux Debian 9 Note: OS available by CTOS

Computer Interface

Video Output	HDMI x 2, HDMI connector (type A) VGA x 1, 15-pin D-sub connector (female)
Serial Ports	RS-232/422/485 ports x 2, software selectable (DB9 male)
USB 2.0	USB 2.0 hosts x 3, type-A connectors 2 ports in the front, 1 port inside the computer
USB 3.0	USB 3.0 hosts x 3, type-A connectors 2 ports in the rear
Expansion Slots	PCIe x16 slot x 1 PCIe x4 slots x 1 PCIe x1 slots x 2 PCI slots x 1
Ethernet Ports	Auto-sensing 10/100/1000 Mbps ports (RJ45 connector) x 4
TPM	TPM v2.0

LED Indicators

System	Power x 1 Storage x 1 Programmable x 8
Serial	2 per port (Tx, Rx)
LAN	8 per port (10/100/1000 Mbps)

Serial Interface

Baudrate	300 bps to 115.2 kbps
Connector	DB9 male
ESD	8 kV (level 4)
Isolation	2 kV
Serial Standards	RS-232/422/485
Surge	2 kV

Serial Signals

RS-232	TxD, RxD, RTS, CTS, DTR, DSR, DCD, GND
RS-422	Tx+, Tx-, Rx+, Rx-, GND
RS-485-2w	Data+, Data-, GND
RS-485-4w	Tx+, Tx-, Rx+, Rx-, GND

Power Parameters

Power Button	Reset button (front panel) ON/OFF (rear panel)
Power Consumption	100 W (max.)

Physical Characteristics

Dimensions (without ears)	440 x 132.8 x 281.4 mm (17.3 x 5.2 x 11.1 in)
Housing	Metal
Installation	19-inch rack mounting
Weight	14,000 g (31.11 lb)

Environmental Limits

Ambient Relative Humidity	5 to 95% (non-condensing)
Operating Temperature	Standard Models: -25 to 55°C (-13 to 131°F) Wide Temp. Models: -40 to 70°C (-40 to 158°F)
Storage Temperature (package included)	-40 to 85°C (-40 to 185°F)

Standards and Certifications

EMC	EN 61000-6-2/-6-4
EMI	CISPR 32, FCC Part 15B Class A
EMS	IEC 61000-4-2 ESD: Contact: 8 kV; Air: 15 kV IEC 61000-4-3 RS: 80 MHz to 1 GHz: 10 V/m IEC 61000-4-4 EFT: Power: 4 kV; Signal: 4 kV IEC 61000-4-5 Surge: Power: 4 kV; Signal: 4 kV IEC 61000-4-6 CS: 10 V

	IEC 61000-4-8: 20 A/m IEC 61000-4-11 DIPs
Power Substation	IEC 61850-3, IEEE 1613
Protection Relay	IEC 60255
Safety	IEC 60950-1, IEC 62368-1, UL 62368-1
Shock	IEC 60068-2-27, IEC 60870-2-2, IEC 61850-3 Edition 1.0

Declaration

Green Product	RoHS, CRoHS, WEEE
---------------	-------------------

Warranty

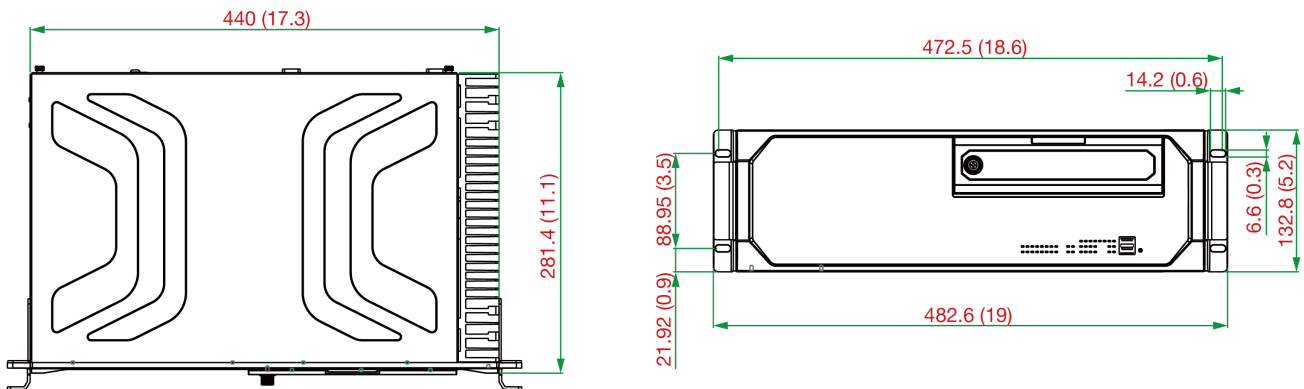
Warranty Period	3 years
Details	See www.moxa.com/warranty

Package Contents

Device	1 x DA-820C Series computer
Documentation	1 x quick installation guide 1 x warranty card
Installation Kit	1 x rack-mounting ear
Note	This product requires additional modules (sold separately) to function.

Dimensions

Unit: mm (inch)



Ordering Information

Model Name	CPU	Power Input 100-240 VAC/VDC	Operating Temp.
DA-820C-KL3-H-T	i3-7102E	Single Power	-40 to 70°C
DA-820C-KL3-HH-T	i3-7102E	Dual Power	-40 to 70°C
DA-820C-KL5-H-T	i5-7442EQ	Single Power	-40 to 70°C
DA-820C-KL5-HH-T	i5-7442EQ	Dual Power	-40 to 70°C
DA-820C-KLXL-H-T	Xeon E3-1505L v6	Single Power	-40 to 70°C
DA-820C-KLXL-HH-T	Xeon E3-1505L v6	Dual Power	-40 to 70°C
DA-820C-KL7-H	i7-7820EQ	Single Power	-25 to 55°C
DA-820C-KL7-HH	i7-7820EQ	Dual Power	-25 to 55°C

Model Name	CPU	Power Input 100-240 VAC/VDC	Operating Temp.
DA-820C-KLXM-H	Xeon E3-1505M v6	Single Power	-25 to 55°C
DA-820C-KLXM-HH	Xeon E3-1505M v6	Dual Power	-25 to 55°C

Accessories (sold separately)

Expansion Modules

DA-PRP-HSR	PRP, HSR expansion module, PCIe interface
DA-IRIG-B-S-04-T	IRIG-B expansion module, PCI interface, 1 fiber IRIG-B in, 1 DB9M in/out, 3 DB9M out
DA-FX04-MM-ST-T	4-port (100BaseFX) fiber LAN module with multi-mode, ST connector, supports IP Teaming
DA-IRIG-B-S-02-T	IRIG-B expansion module, PCI interface, 1 fiber IRIG-B in, 1 DB9M in/out, 1 DB9M out
DE-GX02-SFP-T	2-port 1000 Mbps fiber card, SFP slot x 2, PCIe interface (SFP module excluded)

Connectors

DB9 female to terminal block adapter	DB9 female to terminal block connector for the DA-IRIG-B-S-02-T and DA-IRIG-B-S-04-T
--------------------------------------	--

Cables

RG58AU BNC Male to DB9 Male cable, 150 cm	RG58AU BNC male to DB9 male cable for the DA-IRIG-B-S-02-T and DA-IRIG-B-S-04-T, 1.5 m
---	--

© Moxa Inc. All rights reserved. Updated Jul 30, 2019.

This document and any portion thereof may not be reproduced or used in any manner whatsoever without the express written permission of Moxa Inc. Product specifications subject to change without notice. Visit our website for the most up-to-date product information.